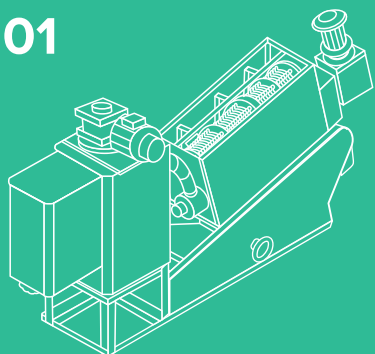


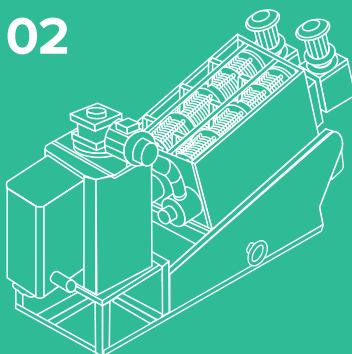
Models & Productivity



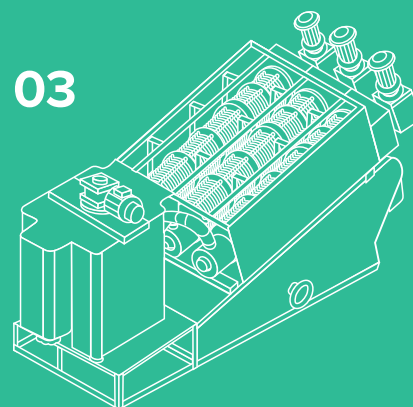
01



02



03



Model		Raw Waste Water Waste	Activated Sludge Chemically	Dissolved Air Flotation	Mixed raw sludge	
		Precipitated Sludge	Precipitated Sludge	Sludge	Aerobic digested sludge	Sewage sludge
	Sludge concentration (TS)	0,2%	1%	2%	5%	3%
FDS-100.01.1M.00	Throughput	~ 2kg-DS/h	~ 3kg-DS/h	~ 5kg-DS/h	~ 10kg-DS/h	~ 13kg-DS/h
	Flow rate	(~1,0 m3/h)	(~ 0,3m3/h)	(~0,25m3/h)	(~0,2m3/h)	(~0,43m3/h)
FDS-100.02.1M.00	Throughput	~ 4kg-DS/h	~ 6kg-DS/h	(~0,5m3/h)	(~0,4m3/h)	~ 26kg-DS/h
	Flow rate	(~2,0 m3/h)	(~ 0,6m3/h)	~ 10kg-DS/h	~ 20kg-DS/h	(~0,8m3/h)
FDS-130.01.1M.00	Throughput	~ 4kg-DS/h	~ 6kg-DS/h	~ 10kg-DS/h	~ 20kg-DS/h	~ 26kg-DS/h
	Flow rate	(~2,0m3/h)	(~0,8m3/h)	(~0,5m3/h)	(~0,4m3/h)	(~0,87m3/h)
FDS-130.02.1M.00	Throughput	~ 8kg-DS/h	~ 12kg-DS/h	~ 20kg-DS/h	~ 40kg-DS/h	~ 52kg-DS/h
	Flow rate	(~4,0m3/h)	(~1,5m3/h)	(~1,0m3/h)	(~0,8m3/h)	(~1,73m3/h)
FDS-170.01.1M.00	Throughput	~ 9kg-DS/h	~ 13kg-DS/h	~ 22kg-DS/h	~ 44kg-DS/h	~ 52kg-DS/h
	Flow rate	(~4,5 m3/h)	(~1,3m3/h)	(~1.1m3/h)	(~0,88m3/h)	(~1,9m3/h)
FDS-170.02.1M.00	Throughput	~ 18kg-DS/h	~ 26kg-DS/h	~44kg-DS/h	~ 88kg-DS/h	~ 114kg-DS/h
	Flow rate	(~9,0m3/h)	(~2,6m3/h)	(~2,2m3/h)	(~1,76 m3/h)	(~3,8m3/h)
FDS-260.01.1M.00	Throughput	~ 20kg-DS/h	~ 60kg-DS/h	~ 100kg-DS/h	~ 200kg-DS/h	~ 260kg-DS/h
	Flow rate	(~10,0m3/h)	(~3,0m3/h)	(~2,5m3/h)	(~2,0 m3/h)	(~4,33m3/h)
FDS-260.02.1M.00	Throughput	~ 40kg-DS/h	~ 60kg-DS/h	~ 150kg-DS/h	~ 300kg-DS/h	~ 390kg-DS/h
	Flow rate	(~20,0m3/h)	(~6,0m3/h)	(~5,0m3/h)	(~4,0 m3/h)	(~8,67m3/h)
FDS-320.02.1M.00	Throughput	~ 80kg-DS/h	~ 120kg-DS/h	~ 288kg-DS/h	~ 400kg-DS/h	~ 520kg-DS/h
	Flow rate	(~40m3/h)	(~12m3/h)	(~10m3/h)	(~8m3/h)	(~17,3m3/h)
FDS-320.03.1M.00	Throughput	~ 120kg-DS/h	~180kg-DS/h	~ 300kg-DS/h	~ 600kg-DS/h	~ 780kg-DS/h
	Flow rate	(~60m3/h)	(~18m3/h)	(~15m3/h)	(~12m3/h)	(~26m3/h)

Disclaimer: FlotLife is continuously updating and improving its products and services. Please contact us for more detailed information. FlotLife

takes no responsibility for any errors resulting from the use of information contained within this document without confirmation by FlotLife.